



Customer Expectation Document

WorkCentre 5225/5225A Multifunction Printer/Copier

Version .3 28 August 2008

Volume Range / Performance

The WorkCentre 5225 is designed to produce consistent uniform looking monochrome prints and copies.

The WorkCentre 5225 is designed to operate in the range of **6,000 to 12,000** copies or prints per month.

The number of copies or prints between service calls on a digital copier / printer is highly dependent on customer expectations of quality and the use of applications and throughput materials.

At an average usage of 10,000 copies or prints per month, it is expected that service will be required about once every 20 weeks based on Unscheduled Maintenance Rate and 66 weeks based on High Frequency Service Items. Volumes higher than this could result in more frequent service.

Maximum copy/print volume supported under standard vendor supplied service for any single month. Customers should consider multiple machines if average monthly volume approaches duty cycle on a continual basis

Maximum Duty Cycle:

- WorkCentre 5225: Up to 75,000 transactions per month

Installation Considerations

- Physical delivery of WorkCentre 5225 will be by a Xerox authorized "D/R" carrier. The carrier will install and perform a functional check of the printer/copier unit. The carrier will review the software/documentation with the customer. The customer is responsible for connecting and configuring the equipment on their network.
- There should be a minimum of 78 inches (1,981 mm) clearance from the floor to the nearest overhead obstruction.
- Electrical requirements and space requirements must be satisfied before the equipment is delivered.
- One network drop is required for installation as a printer / copier.

Customer Training

Online Applications Training will be available at no charge. Customer training on machine features and functions is also a purchasable service for the WorkCentre 5225.

Electrical Requirements

	Western Hemisphere
Line Option	Sole Use (not required but recommended)
Voltage	110-127 VAC
Amperage	15
Frequency	50/60 Hz
Power Cord Length	250 cm / 8.5ft.

- Ground Fault Protection is provided which meets Xerox internal safety requirements and exceeds the Industry Standards for Information Technology Equipment.
- A single power cord (see above) is required for the WorkCentre 5225 copier / printer-copier.

Power Consumption

Power Consumption Running	< 615 watts
Power Consumption Standby	< 95 watts

Low Power Mode Power Usage	≤150 Watts
Low Power Mode Recovery Time	26 seconds
Sleep Mode	≤6 Watts
Warm Up time from Off	45 seconds
Low-Power Recovery	26 seconds

Environmental Requirements

	Min.	Max.
Recommended Temperature Range	50° F (10° C)	82° F (28° C)
Humidity (non-condensing)	15% RH	85% RH
Heat Emission	466 BTU/Hr (Standby)	1795 BTU/Hr (Running)
Altitude (above sea level)	0	8,200ft. (2,500 meters)

Sound Pressure Levels

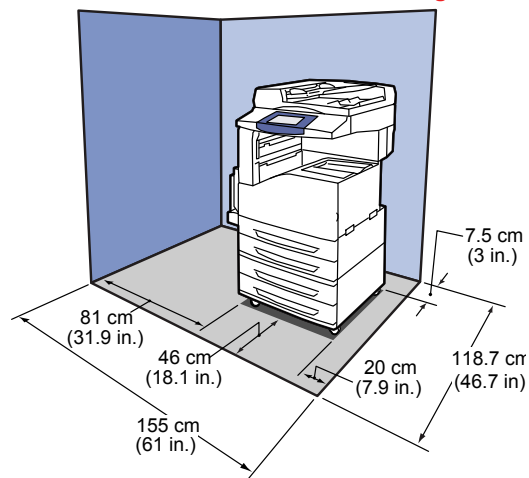
	Operating	Standby
Sound Power Levels	7.2 B	3.8 B
Sound Pressure Levels	56 dBA	22 dBA

Space Requirements / Service Space Envelope

The dimensions listed below provide the overall service space required, including the space to the nearest obstruction. The dimensions reflect both typical and hallway installations and are absolute minimums. The Integrated Office Finisher has the same space and footprint as the Base Machine.

US/Canada only: If installing in a walkway, allow 24" (61 cm) more in front of machine to meet fire code requirements.

Machine without Finisher or with Integrated Office Finisher





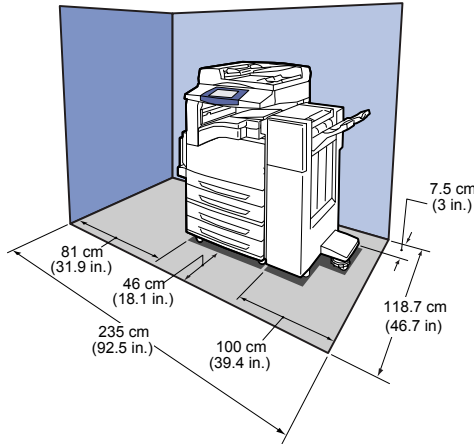
Customer Expectation Document

WorkCentre 5225/5225A Multifunction Printer/Copier

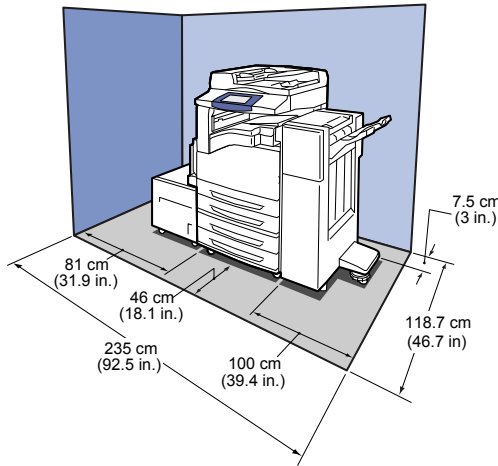
Version .3 28 August 2008

Office Finisher LX	23.2 x 21.9 x 34.4 in. / 590 x 557 x 873 mm	59.5 lb / 27 kg
Booklet Unit	8.5 x 23.5 x 10.7 in. / 217 x 597 x 272 mm	20.3 lb / 9.2 kg
Exit 2 + OCT + Side tray	5.1 x 18.1 x 5.6 in. / 130 x 460 x 142 mm	6.6 lb / 3 kg
Base Unit with Office Finisher LX w/ BM	50.5 x 26.7 x 43.8 in. / 1283 x 677 x 1112 mm	294 lb / 133.4 kg
Base Unit with Office Finisher LX w/ BM & HCF	62 x 26.7 x 43.8 in. / 1575 x 677 x 1112 mm	358 lb / 162.4 kg

Machine with Finisher



Machine with Finisher and High Capacity Feeder



Energy Star

Energy Star is a government-backed program helping businesses and individuals protect the environment through superior energy efficiency. The WorkCentre 5225 is Energy Star certified. This means that the machine has been tested against total energy consumption and meets Energy Star criteria.

Operating Supplies / Customer Replaceable Units (CRUs)

The product will be delivered with a starter Toner cartridge (11,000 sheet yield) and drum.

- Customers may order toner, paper, staples, and unique transparencies directly via Xerox Supplies at 1-800-822-2200.
- US Customers on Metered Price Plans should contact the Metered Customer Support Center at 1-800-599-2198 to acquire additional toner.
- US Customers on Maintenance Contracts should order CRUs (the Drum Cartridge) via the Welcome Center at 1-800-821-2797.
- US Customer on Time and Materials service should order CRUs (the Drum Cartridge) via the Customer Parts Center at 1-800-828-5881.
- There is no recommended on site CRU inventory. Customers do not need to stock extra CRUs.
- Note that the Toner cartridges have CRUM's to prevent gray market trade. Machines are shipped with neutral CRUM cartridges, and become metered or sold upon insertion of the first purchased cartridge. Once this occurs, the machine will only recognize a cartridge with a matching CRUM.

	Dimensions (W x D x H)	Weight
Base Unit with DADF	25.2 x 25.7 x 32.8 in. / 640 x 652 x 832 mm	163.1 lb / 74 kg
Stand	21.3 x 20.5 x 11 in. / 540 x 520 x 280 mm	
2 Tray Module	21.3 x 20.5 x 11 in. / 540 x 520 x 280 mm	50.7 lb / 23 kg
Tandem Tray Module	21.3 x 20.5 x 11 in. / 540 x 520 x 280 mm	68.3 lb / 31 kg
High Capacity Feeder	15.3 x 24 x 14.8 in. / 389 x 610 x 377 mm	63.9 lb / 29 kg
Integrated Office Finisher	22.2 x 17.7 x 9.8 in. / 565 x 450 x 250 mm	24.9 lb / 11.3 kg

Replaceable Module	Starter Yield	Replacement Yield
Drum Cartridge	50K*	Standard: 50K* Long Life: 80K*
Toner Module	11K**	30K**

* Declared yield based on an average job size of 3 A4/Ltr pages. Yield will vary depending on job run length, media size & orientation.

** Yield based on ISO/IEC 19752 Test Standard. Toner consumption will vary depending on image, area coverage and media that is used.

Automatic Meter Read/Automatic Supply Read (AMR/ASR)

The WorkCentre 5225 supports SMart eSolutions MeterAssistant, an automated meter read feature. ASR supports a limited set of CRU's (Drum and Toner only).



Customer Expectation Document

WorkCentre 5225/5225A Multifunction Printer/Copier

Version .3 28 August 2008

- Network connected equipment comes ready to enable meters to be sent over the network to a Xerox Communication Server in order to provide accurate and timely meter reads for billing purposes. Additional detail specific to the Configuration and Use of the MeterAssistant Option is available at www.xerox.com/smarteresolutions.

Document Feeder

The DADF has a maximum capacity of 75 sheets (based on 24lb Paper).

DADF Media Handling	Min	Max
Document Size	5.5 x 8.3 in / 139.7 x 210 mm	11.7 x 17 in / 297 x 432 mm
Media Weights	16 lbs / 38 gsm	32 lb / 128 gsm

DADF Productivity	Images/Minute
Copy (600 dpi)	30.3
Black & White Scan (200 dpi)	54.8
Color Scan (200 dpi) (5225A only)	45
Fax (200 dpi)	54.8

*Scanning speed will vary based on scan resolution and document used.

Duplex (2-sided) Copying / Printing

Automatic duplexing: Standard size media up to 11"x17" (A3) and 105 gsm can be performed from any of tray 1, 2, 2TM, TTM, HCF, and bypass.

As with any copier or printer, duplex performance is not expected to match the performance for single sided copying. Paper jam rates may be higher than the rate you will experience for the same throughput material in single sided mode.

Paper / Throughput

Users can supply paper to other trays while printing

Tray configurations – The base machine has 2 trays (500 sheets each) and a Bypass Tray (100 sheets). The Two Tray Module has Trays 3 & 4 with capacities of 500 sheets each. The Tandem Tray Module (HCF) has Trays 3 & 4 with capacities of 800 and 1200 sheets each Letter/A4 Long Edge Feed (LEF)

External high capacity feeder has a paper capacity of 2000 sheets.

LEF = Long edge feed; SEF = Short edge feed

Tray #	Size	Capacity (using 24lb / 80gsm Paper)	Specified Weights
1	Min.: 5.5" x 7.2" / 139.7 mm x 182 mm	500 sheets	60 – 105 gsm / 16 lb. bond – 28 lb bond

	SEF(5.5" x 8.5" LEF cannot be run.) Max.: A3 or 11" x 17" SEF Media within tray capacity: A3 SEF B4 SEF A4 SEF A4LEF B5 SEF* B5 LEF A5 SEF* 11" x 17"SEF Legal (8.5" x 14") SEF 8.5" x 13"SEF Letter (8.5" x 11") SEF Letter (8.5" x 11") LEF 7.25"x10.5"LEF 5.5" x 8.5" SEF*		
Tray 2, Optional 2TM	B5 LEF**, A4, 8.5 x 11", 7.25"x10.5"LEF 5.5 x 7.2" – 11 x 17" / 139.7 x 182 mm – A3	500 sheets	60-215 gsm / 16 lb. bond - 80 lb. cover
Optional TTM	A4 Letter B5 Executive (7.25 x 10.5)	2000 sheets (800 & 1200)	60-215 gsm / 16 lb. bond - 80 lb. cover
Bypass	4x6 LEF 5X7 SEF 6x9 SEF 5.5x8.5 LEF 8.5x11 LEF & SEF 8.5x13 SEF 8.5x14 SEF 11x17 SEF #10 Envelope LEF Monarch Envelope LEF Or Custom sizes: 3.5 x 3.9" to 11 x 17" / 89 x 98.4 mm to A3	100 sheets	60-215 gsm / 16 lb. bond - 80 lb. cover
Optional High Capacity Feeder	A4 Letter B5 Executive (7.25 x 10.5)	2000 sheets	60-215 gsm / 16 lb. bond - 80 lb. cover
Optional Envelope Tray	#10 C5 DL Monarch Envelope	Up to 65	

* The combinations of 8"x10" SEF, 5.5"x8.5" SEF & A5 SEF, as well as B5 LEF cannot be loaded in different trays in one machine

** B5 LEF, Executive 7.25"x10.5" cannot be loaded into the same tray.

- Attempts to feed heavier than recommended paper stocks, and/or misuse of the media settings, may cause machine damage or poor



Customer Expectation Document

WorkCentre 5225/5225A Multifunction Printer/Copier

Version .3 28 August 2008

image quality. Using media at run modes other than that recommended for the grade may cause poor image quality and serious machine damage.

- If a sheet of paper, whose feed-direction length is smaller than 5.5 inches/140mm, is run from bypass, the sheet may travel along the IBT belt, instead of being fed into the fuser, and may get into the IBT cleaner, resulting in damage to the machine
- Xerox stock 32lb bond (3R11387) and 60lb cover (3R11390), which were designed for the xerographic process, can be run satisfactorily.
- Envelope tray may not meet the spec when there is a curl or twist on an envelope set on the tray. Paper handling may be improved by removing a curl or twist.
- The optional Envelope Tray has been designed for casual office use. It was not intended for a production-type environment.

Transparencies

The following transparencies are approved for use:

- Xerox Paper backed 3R3028
- 3M Type L Desktop Laser 3R91334
- Xerox Striped 3R4174
- Xerox Removable Stripe 3R3108
- Xerox HP Compatible Laser 3R12278
- Xerox B/W Plain Type C 3R96002
- Xerox Type B Universal White Stripe 3R96000

Use of other transparencies may cause machine damage and result in excessive service calls.

Heat Transfer Paper

Heat transfer paper of **any** type or brand is **not** recommended for use with the WorkCentre 5225.

Output

The WorkCentre 5225 can accommodate multiple output options.

The **Center Output Tray** can accommodate up to 500 sheets of 11x17"/A3 80 gsm / 20 lb media. If Office Finisher LX is installed, it can accommodate up to 200 sheets.

The optional **Side Tray** supports up to 100 sheets of 80 gsm / 20 lb media.

- Use Side Exit tray for face up output of faxes. If face down output is required for HIPAA or other applications, use one of the Center catch trays.

First Copy Out Time (FCOT)

Warm-up time is the time within copying will start from from sleep mode. Warm up time: 26 seconds

FCOT is the time between depression of the Start button and the appearance of the first copy in the output tray (until the trail edge of the first copy is ejected from the exit).

FCOT: 4.3 seconds

Settings/measuring conditions: Power is on, engine motor is not running, fuser is ready, laser scanner motor is ready, normal paper

(10lb/80 gsm), A4 or 8.5" x 11" Long Edge Feed, platen mode, uncollated, 100% magnification, simplex copy.

FCOT cannot be met with the following functions: Image repeat, split scan, N-up, image shift, annotation, image overlay, rotation angle not 0 degrees

Copy/Print Speed

LEF = Long edge feed; SEF = Short edge feed

Paper Size and Paper Orientation	Copy Mode	Paper Tray							
		Tray 1	Tray 2	2TM (3 rd /4 th)	TTM (3 rd)	TTM (4 th)	HCF	Bypass	
		Plain Paper							
A4 LEF	Simplex	25	25	25	25	25	25	25	
8.5" x 11" LEF	Duplex	25	25	25	25	25	25	25	
A4 SEF	Simplex	20	20	20 (Tr3)	Not Supported			20	
8.5" x 11" SEF	Duplex	20	20	20 (Tr3)				20	
				20 (Tr4)					
				20					
B4 SEF	Simplex	16	16	16	Not Supported			16	
8.5" x 13" SEF	Duplex	10	10	10				10	
A3 SEF	Simplex	14	14	14	Not Supported			14	
11" x 17" SEF	Duplex	9	9	9				9	
B5 LEF	Simplex	25	25	25	25	25	25	25	
7.25" x 10.5" LEF	Duplex	25	25	25	25	25	25	25	
B5 SEF	Simplex	15	15	15	Not Supported			15	
	Duplex	15	15	15				15	
A5 SEF	Simplex	11	11	11	Not Supported			11	
5.5" x 8.5" SEF	Duplex	11	11	11				11	
A5 LEF	Simplex	Not Supported							25
	Duplex	Not Supported							25

Maximum paper weight is 215gsm / 80 lb. cover.

- Printer kit must be installed for Text overlay and watermark features



Customer Expectation Document

WorkCentre 5225/5225A Multifunction Printer/Copier

Version .3 28 August 2008

Maximum Image Sizes

The WorkCentre 5225 will reproduce A3/11"x17". The maximum length images (432mm) are only produced on 11"x17" media. On all media there is a maximum Lead Edge deletion of 4 mm and a Trail Edge deletion of 4 mm. Side edge deletion is 4.1 mm. With Copy, Fax and print when image enlargement is selected there is a maximum Lead Edge deletion of 16 mm and a Trail Edge deletion of 16 mm. Side edge deletion is 16 mm.

Copy/Print

Max. Imageable Area	Guaranteed Image Quality Area
297mm x 432mm 11.69" x 17.00"	295mm x 432mm 11.61" x 17.00"

System Setup

- A power off and on may be required if some system settings are changed.
- Machine configuration changes cannot be made until there are no jobs in progress, even remotely through CentreWare Internet Services (CWIS).
- Alert beep sound level can be turned off or lowered in System Admin mode.

Print Services and Network Connectivity

- The following Network Operating Systems are supported:
 - Windows 2000 (32 bit)/ Windows XP (32 & 64 bit)/ Windows Vista (32 & 64 bit)/ Windows 2000 Server / Windows Server 2003 (32 & 64 bit)
 - NetWare 5 / NetWare 6
 - Unix
 - Mac OS 10.3 and higher
- Windows 95 is not supported (Win98 driver will likely work, however it is not supported and customers are encouraged to upgrade to a more current version of Microsoft Windows operating system)
- The 5225 MacOS PostScript drivers support Intel-based Macintosh clients, but access to some features may be limited. The Generic PPD is compatible with Intel-based Macintosh clients.
- Drivers are available for Windows (2K, XP, Vista, 2003), UNIX; Sun Solaris (8, 9, 10), HPUX 11.0 and 11iv2, IBM AIX 5l v5.3 and Linux Fedora Core 1 and 5, Suse Linux 10.X, RedHat Enterprise Linux 4.
- Citrix client printing is supported via the PostScript driver and requires the optional 5225 PostScript Kit.
- Some features available in the PCL driver are not included in the PostScript driver.
- Parallel port is not supported.
- NDPS must be installed with IP, not using IPX.
- The 5225 is compatible with Xerox CentreWare Internet Services and has limited functionality with Xerox CentreWare Web.
- SMB, lpd, EtherTalk, NetWare, IPP, HTTP, DHCP, SMTP, POP, LDAP, DDNS (level 2), RARP, and Port9100 are supported
- IPV4 and IPV6 are supported for IP in Network layer
- TokenTalk is not supported.

Supported PDL

- PCL5e,
- PCL6
- PS3

Differences in the Print Drivers from the WorkCentre 123/128/133

The WorkCentre 5225 offer the latest generation Xerox drivers that are consistent with those of the WorkCentre 7328/7335/7345/7346 and WorkCentre 7232/7242. However, there are some differences in driver capabilities from the WorkCentre 123/128/133:

- Stapling options are provided based on size and orientation. Options not available are grayed out & made unavailable
- There are fewer selectable choices on the watermark screen, but users are able to customize watermarks
- If the Admin turns off banner pages, banner pages cannot be printed
- There is no differentiation between User & Admin modes when configuring accounting in the print driver
- Print features not available from the WorkCentre 5225 print driver:
 - User cannot specify document name for secure/sample/delayed jobs
 - Transparency separators cannot be pulled from the bypass tray
 - Separators cannot be inserted by page number in the middle of a document
 - Poster mode is not available
 - 32-up is not available
 - Forms and Image Overlay
 - Skip blank pages
 - Job confirmation by email (WorkCentre 5225 has bi-directional drivers for printer communication)
 - Substitute Tray option
 - Edit true type font table
- The WorkCentre 5225 has two selectable Image Quality settings (standard or high resolution)—users cannot manipulate brightness/contrast to text/photos/graphics within the document
- The following Image Quality settings (PCL rendering features) are not available from the PCL drivers:
 - Page Print Mode
 - Change Paper Information Handling
 - Error Report
 - Bitmap smoothing
 - Change all colors to black
 - Thicken fine lines
 - Paint only enclosed area
 - High speed image processing
 - Image compression (standard/photo)
 - Image enhancement
 - Halftone print
 - Draw pattern with fine lines
- The following fax features are not available from the WorkCentre 5225 print driver:
 - Send Header
 - Edit phonebook properties
 - F-Code
 - Password
 - Secure Send
 - Relay Send
 - OverSeas/F4800 & G4 Auto communications modes

Postscript Print Driver Compatibility

In customer environments where other Xerox MFP's are installed, clients utilizing the PostScript drivers (pscript5.dll version 3.600.xxx of higher) may experience printing failures on the following products:

- Xerox WorkCentre M118: v4.1.3.29 (or higher)
- Xerox WorkCentre 133/M123/M128: v4.1.17.15 (or higher)
- Xerox WorkCentre Pro 123/128/133: v4.1.17.15 (or higher)



Customer Expectation Document

WorkCentre 5225/5225A Multifunction Printer/Copier

Version .3 28 August 2008

- Xerox WorkCentre 7132: v4.2.38.9 (or higher)
- Xerox 4590/4595/4110: v4.2.26.19 (or higher)
- Xerox WorkCentre 7228/7235/7245: v4.2.45.11 (or higher)
- Xerox WorkCentre 7655/7665: v.4.194.4.0 (this version fails)
- Xerox WorkCentre and WorkCentre Pro 2128/ 2636/3545: v.4.182.39.0 (or higher)

To avoid any problems, check the version of the Postscript drivers in use with the above installed machines. If the version is *lower* than the version listed above, go to www.xerox.com/psdriverupdate to download the latest drivers for the above products. *This check should be completed before installing the WorkCentre 5225 Postscript drivers.*

Print Speed / System Performance

- First Print Out Time: 12 seconds
- The maximum print speed for the system is limited by the print speed of the WorkCentre 5225 engine.
- The WorkCentre 5225 is a document printer; therefore, in reverse order (face-up) printing the print engine will not cycle up until the entire job is ready. This will impact First Copy Out Time (FCOT). The printer may cycle down between each job depending on job complexity.
- Overall system performance ('Click to Clunk' time) is primarily dependent upon the software applications and network environment being used. Rasterizing (RIP-ing) is only a small fraction of Click to Clunk time.

Standard Configuration of WorkCentre 5225 Printer Kit:

- USB 2.0, Ethernet 100/Base TX/10 Base-T
- PCL5e/6, TIFF/JPEG/PDF/XPS print
- 256 MB memory

Print Around

- To configure device to support Print Around, "Auto-Promote" must be enabled
- Jobs needing resources show up in the job queue as an error. However, if required media is loaded, job will be released and printed.

Scanning

The WorkCentre 5225 supports powerful color and black& white scanning solutions. 4 GB is assigned to Scan to Mailbox function.

- Scan formats : TIFF, mTIFF, PDF, XPS, Secure PDF
- JPEG and Searchable PDF (Optional) are available file formats on color scanning 5225A configuration only

Optional Black & White Scan to Email Kit (Requires Printer/Copier configuration)

Enables scanning only to email. This is a new kit to offer entry level scan capability. Scan to Email & Mailbox software key is needed to enable option

Optional Black & White Network Scan Kit (Requires Printer/Copier configuration)

Enables scanning to email, local mailbox on the machine, network file servers, and TWAIN. The Scan to Server Software key is needed to enable option

- Files scanned into device Mailbox can be accessed and printed using CentreWare Internet Services. Or scanned in as a fax and printed at 600 dpi.
- Applications that support a TWAIN interface can utilize this feature (i.e. PhotoShop, TextBridge, etc.).

Standard Color Network Scanning

The color scanning 5225A configuration come standard with Full Color Network Scanning. A WorkCentre 5225 cannot be upgraded to an 5225A configuration. The Color scanning 5225A configurations comes standard with Copier, Network printing, color network scanning, and 512MB system memory.

An optional Scan Performance Kit is available for the color scanning WorkCentre 5225A and comes with Text Searchable PDF and 256 MB additional memory which enables MRC compression.

Optional Nuance Scan to PC Desktop Small Business Edition SE or Pro can also be used to retrieve images scanned to the WorkCentre 5225.

- For Image Retriever, it is recommended to scan to a Network server or Email Inbox instead of a Mailbox Folder on the MFP. Files sent to the Repository Folder may be overwritten if there is a pre-existing file with the same name.

Scanned Image Size Resolution dpi

Letter (A4 / 8.5X11) Max 600 dpi

Tabloid (A3 / 11X17) Max 600 dpi

Note: Several resolution settings are selectable via WorkCentre 5225 User Interface touch panel. Lower resolutions will result in files that are smaller in size and thereby reducing the customer's network traffic.

Job Flow Sheets

Jobs stored in the mailbox via the print driver cannot be routed via Job Flow Sheets. Job Flow Sheets can be set up at the device, through CentreWare Internet Services or using Job Flow Editor. Each destination is set up electronically and there is no paper or Paperware involved. Routing can be to multiple E-Mail, FTP, SMB, and Fax, IFAX or Printer locations. All file formats are supported except Compressed PDF/XPS and Text Searchable PDF.

- Job Flow Sheets created at the device are limited to 2 SMB, 2 FTP locations, 100 e-mail address and to print at one device
- Job Flow Sheets created in CWIS have a limit of 1 SMB, 1 FTP location, 10 e-mail addresses and to print at one device
- Job Flow Editor has a limited to 30 total destination per Job Flow Sheet. This can be any mix of 30 e-mail, fax, ifax, printers, FTP or SMB destinations.

Faxing (Optional)

- The WorkCentre 5225 supports single use, non switched analog phone lines.
- Voice over IP (VOIP) phone lines or Fax over IP (FOIP) are **not** supported
- 4 GB assigned for fax receive
- Max possible data length is 600 mm
- Device cannot print JPG files through IFAX

Internet Fax option:

- Requires Printer-copier configuration, Fax kit, and Internet Fax Kit
- Enabled by entering PIN at local UI

Server Fax option:

- Requires Printer-copier configuration and either scan kits
- Note: Embedded Fax, LAN Fax, and Internet Fax will not be available when Server Fax is in use

Mailbox Communication

- Up to 200 mailboxes can be created



Customer Expectation Document

WorkCentre 5225/5225A Multifunction Printer/Copier

Version .3 28 August 2008

- Up to 1000 documents can be stored in mailboxes

Foreign Device Interface (FDI)

- The FDI connector and internal wiring harness is standard on all WorkCentre 5225 machines. 3rd party external hardware interface still required.
- The FDI will control only printing and copying services.

Extensible Interface Platform

- The WorkCentre 5225 will support the following EIP applications at launch:
 - Equitrac Office v 4.03 and Express v 4.03
 - Omtool Genifax 3.4
 - Omtool AccuRoute
 - Stream StreamCenter v 6.42
 - X-Solutions ScanFlowStore v 5.1.36.335 or higher
 - Xerox Secure Access Unified ID System
 - Xerox SMARTsend
 - Scan to PC Desktop SBE Pro 9.1

Xerox Secure Access Unified ID System (Optional)

- Solution requires one customer provided network drop, but yields 2 network IP addresses. One for the MFP and the other for the Secure Access hardware.
- Each MFP will require SSL enablement and creation of a self-signing certificate.
- For additional data regarding the Secure Access solution, please reference the Secure Access CED.

Output – Finishing

There are 2 finishing options for the WorkCentre 5225. They cannot both be installed at the same time

The optional **Office Finisher LX** capabilities:

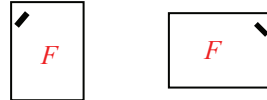
- 16 lb. bond – 80 lb. cover/60gsm – 215 gsm paper (stapling available only for paper of 14 lb. bond - 24 lb. bond/ 50 - 90gsm).
- Max paper size: A3 Short Edge Feed (SEF) (297mm width) or 11 x 17" (432mm feed length)
- Min paper size: A4 SEF (148mm cross-feed length) or B5 Long Edge Feed (LEF) (210mm feed length)
- Custom sizes are not supported.
- Stacking: Up to 2000 sheets 24 lb. bond / 90gsm, and offset stacking up to 50 sheet stapled sets
- Dual-position stapling is not available for the paper size of A4 SEF.
- Hole punch and the Booklet Unit are optional accessories
- A saddle stitched document cannot be hole punched
- The maximum number of pages that can be saddle-stitch stapled is 15 (20 lb. bond / 80 gsm or less) pages
- Linux drivers do not support Booklet crease and stapling. Fix available: 9/2008

The Integrated Office Finisher can be attached instead of the Center Tray.

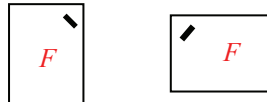
The optional **Integrated Office Finisher** capabilities (available on all configurations):

- 60gsm – 215 gsm (16 lb. bond. to 80 lb. cover) media (includes stapling)
- Supported paper sizes, LEF: B5, A4, Letter, Executive
- Supported paper sizes, SEF: A4, B4, A3, Letter, 8.5x13", 8.5x14", 11x17", Executive (Custom sizes are not supported).
- Supported paper dimensions:
 - Cross feed length: 3.5 – 11.7 in. / 88.9 – 297 mm
 - Feed length: 3.9 – 17 in. / 98.4 – 432 mm
- Stacking: Up to 500 sheets 20 lb. bond/80gsm, A4/Ltr, up to 250 sheets 20 lb. bond/80 gsm A3/11x17"
- Stapling: Front, Single-position stapling. Not available for Transparency, Envelopes, Labels, and Coated Paper.
- Stapling Capacity: 50 sheets 24 lb. bond/90 gsm or less (or two 80 lb. cover/215 gsm covers + 48 sheets 24 lb. bond/90 gsm)
- Stapling Position:

LEF: B5, A4, 8.5x11", Executive



SEF: A4, 8.5x11", 8.5x13", 8.5x14", B4, A3, 11x17"



- Upper left corner stapling cannot be done for short-edge feed portrait print jobs. Letter/A4 size pages should be printed on long-edge feed paper for upper left corner stapling of portrait images.
- The Integrated Office Finisher does not support hole punching.
- The Center Output Tray is not available with the Integrated Office Finisher

3rd Party Solutions

- The WorkCentre 5225 Technical Brief documents the 3rd party solutions that are compatible with the WorkCentre 5225. It is recommended to test in customer environment for complete validation of compatibility.
- The Job-based accounting kit for the WorkCentre 5225 printer-copiers provides the interface to provide accounting features by connecting 3rd party's device and external account server

Standard Configurations

WorkCentre 5225 Copier Only:

- Copy engine with 75-sheet DADF
- 40 GB HDD, 256 MB System Memory
- Automatic duplex copy
- Electronic Pre-Collation
- 1100 sheet paper capacity via 3 paper trays
- Must choose: Mobile stand, 2 Tray Module, or Tandem Tray Module



Customer Expectation Document

WorkCentre 5225/5225A Multifunction Printer/Copier

Version .3 28 August 2008

WorkCentre 5225 Copier/Printer:

- Print/Copy engine with 75-sheet DADF
- 40 GB HDD, 512 MB System Memory
- Automatic duplex print & copy
- Electronic Pre-Collation
- 1100 sheet paper capacity via 3 paper trays
- Must choose: Mobile stand, 2 Tray Module, or Tandem Tray Module

WorkCentre 5225A Copier/Printer/Color Network Scanner:

- Print/Copy engine with 75-sheet DADF
- 40 GB HDD, 512 MB System Memory
- Color Network Scanning
- Automatic duplex print & copy
- Electronic Pre-Collation
- 1100 sheet paper capacity via 3 paper trays
- Must choose: Mobile stand, 2 Tray Module, or Tandem Tray Module

Network Accounting Kit *	Enables 3 rd party job based accounting packages from Pharos, Equitrac, etc.
Data Security Kit *	Encrypts and Overwrites job data on the HDD
PostScript Kit *	True Adobe PostScript printing (includes a small plug-in card)
Scan to Email Kit *	Email and Mailbox functionality
Network Scanning Kit *	Scan to Mailbox, Scan to PC, Scan to Home, Network Servers, TWAIN. Includes Email.
Foreign Interface Kit	The Foreign Interface Kit is a third party device that enables the connection of external devices. The FDI port and internal wiring are standard on the 5225.
Scan Performance Kit	Available for 5225A configurations only! Text Searchable PDF*, MRC Compression, 256 MB Memory

* Software options are enabled by entering a PIN at the Local UI.

Reference Material

WorkCentre 5225 is shipped with a complete set of drivers, user and administration guides on a CD ROM.

Customer Support

The **Xerox Customer Support Centers** is available to provide general information, answer questions and take service calls. You can reach the Customer Support Center at the following toll-free phone number:

United States 1-800-821-2797
Canada 1-800-939-3769

To order Replacement Customer Replaceable Units (CRUs):

Full Service Maintenance customers order replacement CRUs through Xerox Customer Support Center using the toll free number above. Time and Materials Maintenance customer order replacement CRUs through the Logistics Customer Support Center at 1-800-828-5881.

To order additional Supply (toner / staples) or Throughput materials:

The Xerox Supplies Marketing Center, 1-800-822-2200 US, 1-800-668-0199 CAN (English), 1-800-668-0133 CAN (French) is available for ordering Xerox supplies, including paper and other throughput material.

US Customers on Metered Price Plans should call the Metered Hotline, U.S. 1-800-599-2198 to acquire additional toner.

Optional Accessories

Accessory	Description
Office Finisher LX	2000 sheet stack, 50 sheet 3-position staple
Hole Punch Unit	Hole Punch capability to Office Finisher LX
Booklet Maker	Score and Saddle Stitch capabilities to Office Finisher LX
Integrated Office Finisher	500 sheet stacker/stapler, 1 position stapler
Fax	One line, PSTN, includes LAN fax
Internet Fax Kit *	Enables Internet Fax. Requires Fax kit , and Printer-copier configuration
Fax Server Kit *	Connects to network fax servers. Requires Printer-copier configuration and either scan kit (Scan to email or Network Scan).

Responsibility Matrix

Action	Responsibility	
	Customer	Xerox
Ensure adequate space and power to configure the WorkCentre 5225.	X	
Unpack system / components		X
Install system hardware		X
Connect all System Components prior to powering up the system		X
Install the printer description files and server, status Desktop Accessories on Client	X	
Ensure network configuration	X	
Confirm network integrity	X	



Customer Expectation Document

WorkCentre 5225/5225A Multifunction Printer/Copier

Version .3 28 August 2008

Acquire and install client workstation network software	X	
Run initial software diagnostics when directed	X	
Monitor and adjust as required	X	
Load any additional fonts	X	
Procure BNC transceiver for network connection	X	
Order and replace Customer Replaceable Units (Drum cartridges, Fuser and Waste Toner Cartridge) as needed.	X	
Provide Help Line support (with purchase of FSMA)		X
Provide spared parts (with purchase of FSMA)		X
Provide service (with purchase of FSMA)		X

I have reviewed this document and understand the specifications listed:

_____ Customer

_____ Xerox Sales Representative

_____ Xerox Customer Service Representative

Primary customer WorkCentre 5225 applications:

Special considerations or performance limitations identified by Xerox and agreed to by the customer:
